

1 2 3 4 5 6

A

A

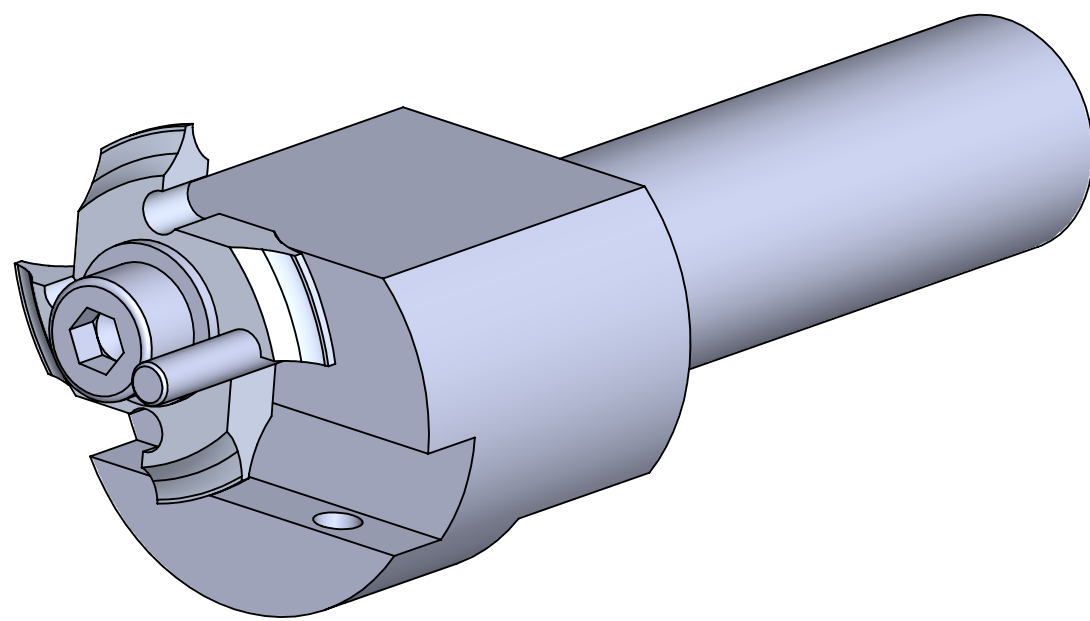
B

B

C

C

D



UNLESS OTHERWISE SPECIFIED:
DIMENSIONS ARE IN MILLIMETERS

UNLESS OTHERWISE SPECIFIED, TOLERANCES:
LINEAR: DIMENSIONS UNDER 15 MM ± 0.3
DIMENSIONS 15 MM AND OVER ± 1
ANGULAR: $\pm 0.5^\circ$

REMOVE ALL BURRS AND SHARP EDGES
0.50 RADIUS OR CHAMFER MAX

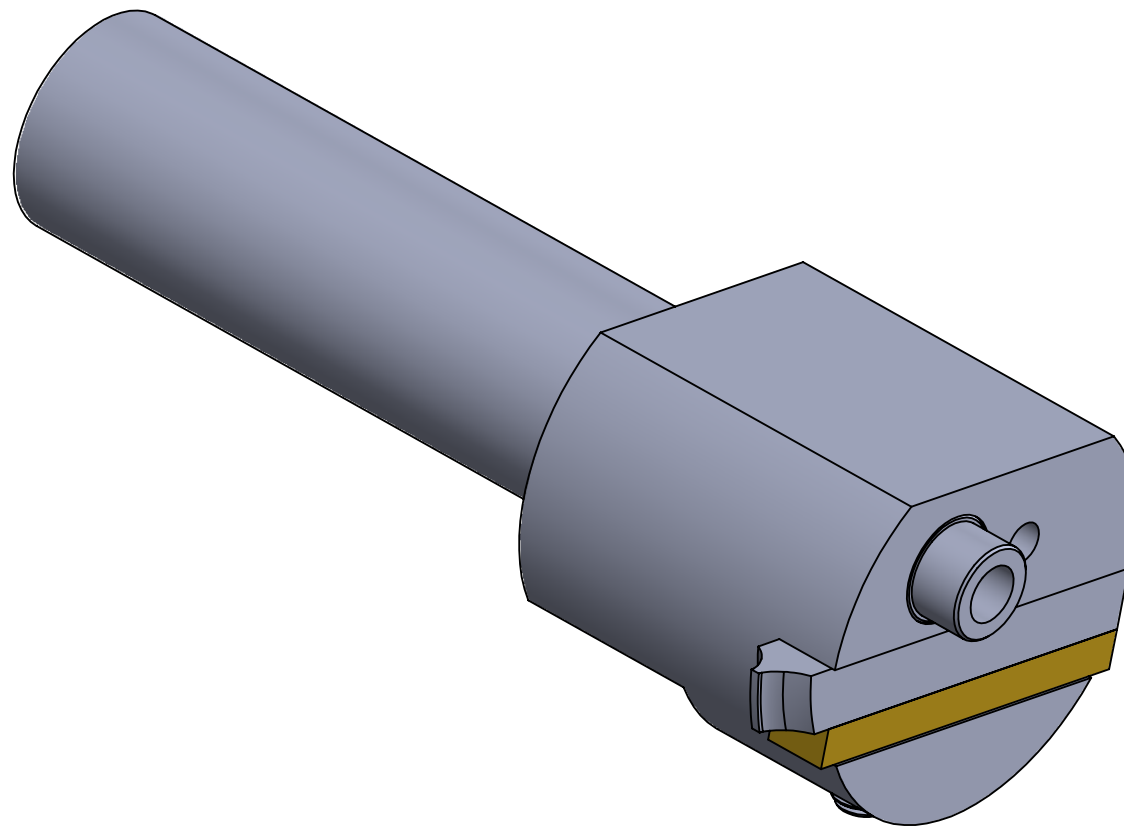
MATERIAL: MILD STEEL, O1 TOOL STEEL

TITLE:
**CUTTER ARBOR ASSEM.
(MULTI TOOTH CONFIG)**



CLICKSPRINGPROJECTS.COM

A4



UNLESS OTHERWISE SPECIFIED:
DIMENSIONS ARE IN MILLIMETERS

UNLESS OTHERWISE SPECIFIED, TOLERANCES:
LINEAR: DIMENSIONS UNDER 15 MM ± 0.3
DIMENSIONS 15 MM AND OVER ± 1
ANGULAR: $\pm 0.5^\circ$

REMOVE ALL BURRS AND SHARP EDGES
0.50 RADIUS OR CHAMFER MAX

MATERIAL: MILD STEEL, O1 TOOL STEEL

TITLE:

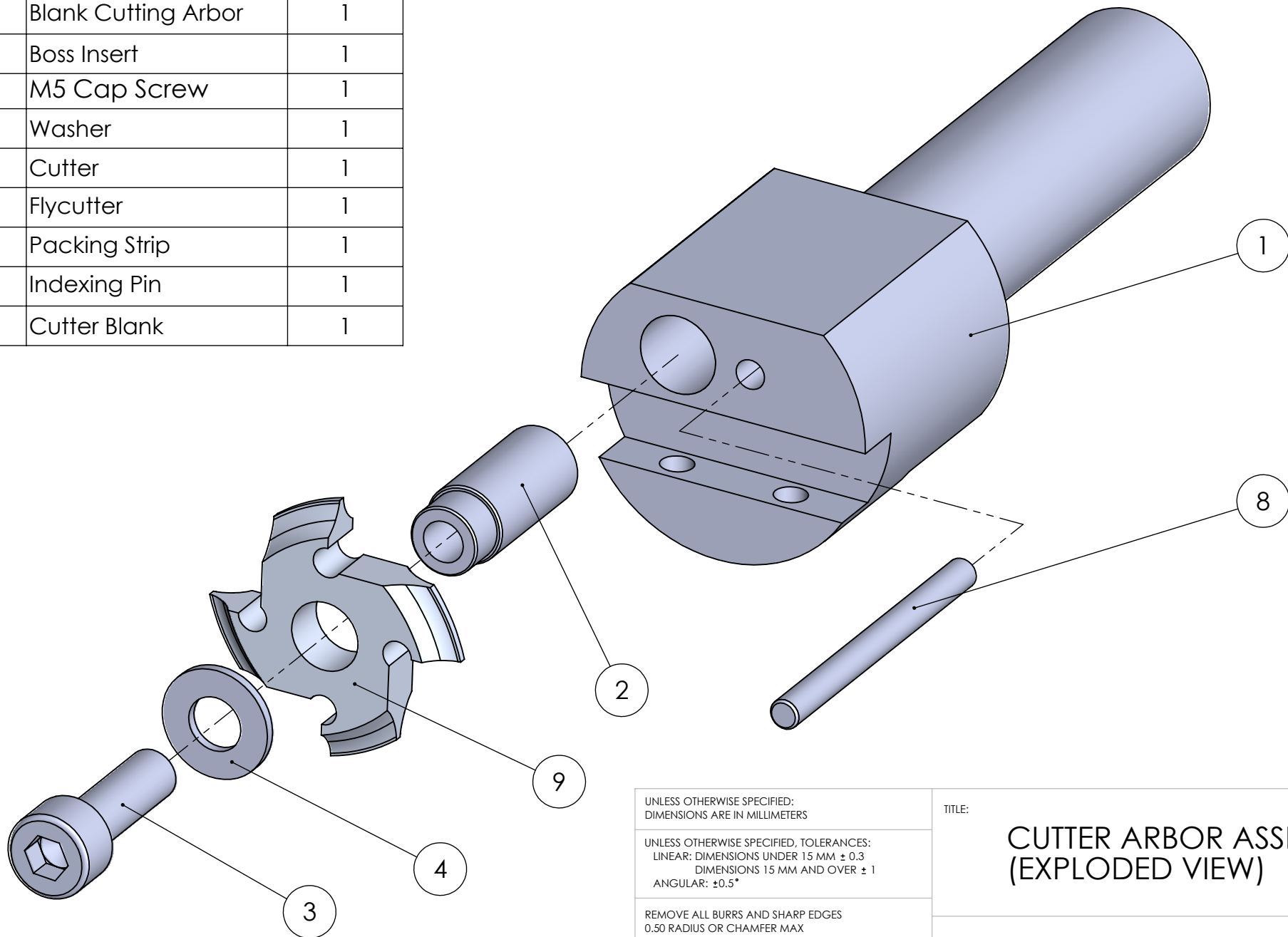
CUTTER ARBOR ASSEM.
(FLYCUTTER CONFIG)



CLICKSPRINGPROJECTS.COM

A4

| ITEM NO. | PART NUMBER | QTY. |
|----------|---------------------|------|
| 1 | Blank Cutting Arbor | 1 |
| 2 | Boss Insert | 1 |
| 3 | M5 Cap Screw | 1 |
| 4 | Washer | 1 |
| 5 | Cutter | 1 |
| 6 | Flycutter | 1 |
| 7 | Packing Strip | 1 |
| 8 | Indexing Pin | 1 |
| 9 | Cutter Blank | 1 |



UNLESS OTHERWISE SPECIFIED:
DIMENSIONS ARE IN MILLIMETERS

UNLESS OTHERWISE SPECIFIED, TOLERANCES:
LINEAR: DIMENSIONS UNDER 15 MM ± 0.3
DIMENSIONS 15 MM AND OVER ± 1
ANGULAR: $\pm 0.5^\circ$

REMOVE ALL BURRS AND SHARP EDGES
0.50 RADIUS OR CHAMFER MAX

MATERIAL: MILD STEEL, O1 TOOL STEEL

TITLE:
**CUTTER ARBOR ASSEM.
(EXPLODED VIEW)**

CLICKSPRINGPROJECTS.COM

A4

1

2

3

4

5

6

A

A

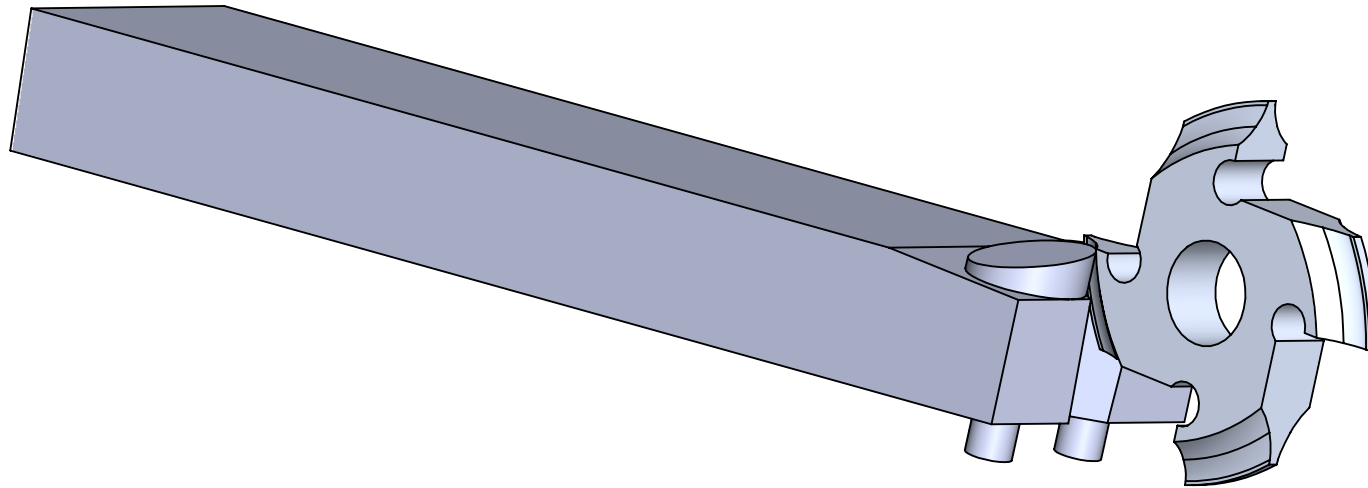
B

B

C

C

D



UNLESS OTHERWISE SPECIFIED:
DIMENSIONS ARE IN MILLIMETERS

UNLESS OTHERWISE SPECIFIED, TOLERANCES:
LINEAR: DIMENSIONS UNDER 15 MM ± 0.3
DIMENSIONS 15 MM AND OVER ± 1
ANGULAR: ±0.5°

REMOVE ALL BURRS AND SHARP EDGES
0.50 RADIUS OR CHAMFER MAX

MATERIAL: MILD STEEL, O1 TOOL STEEL

TITLE:

BUTTON CUTTER



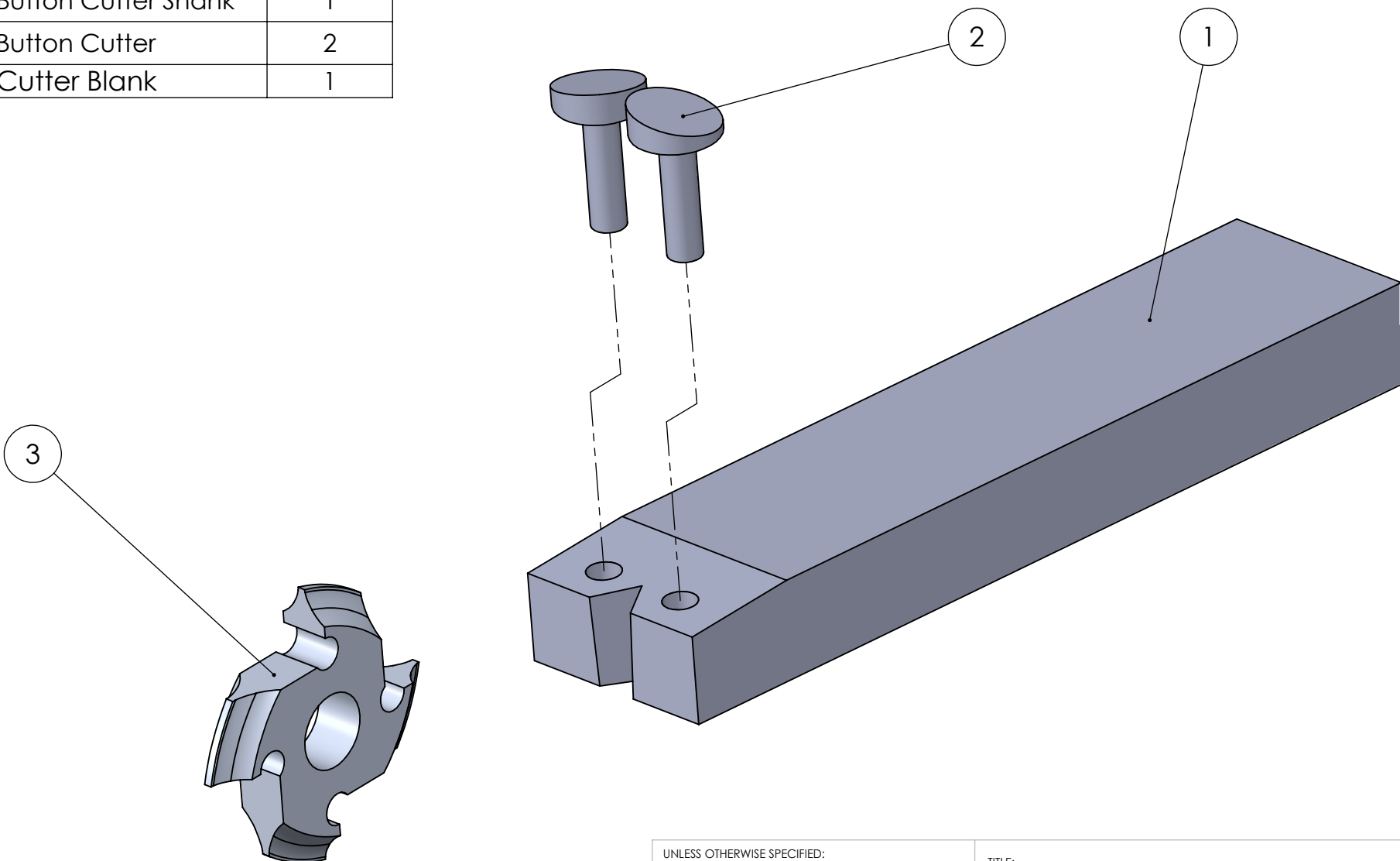
CLICKSPRINGPROJECTS.COM

A4

1

2

| ITEM NO. | PART NUMBER | QTY. |
|----------|---------------------|------|
| 1 | Button Cutter Shank | 1 |
| 2 | Button Cutter | 2 |
| 3 | Cutter Blank | 1 |



UNLESS OTHERWISE SPECIFIED:
DIMENSIONS ARE IN MILLIMETERS

UNLESS OTHERWISE SPECIFIED, TOLERANCES:
LINEAR: DIMENSIONS UNDER 15 MM ± 0.3
DIMENSIONS 15 MM AND OVER ± 1
ANGULAR: $\pm 0.5^\circ$

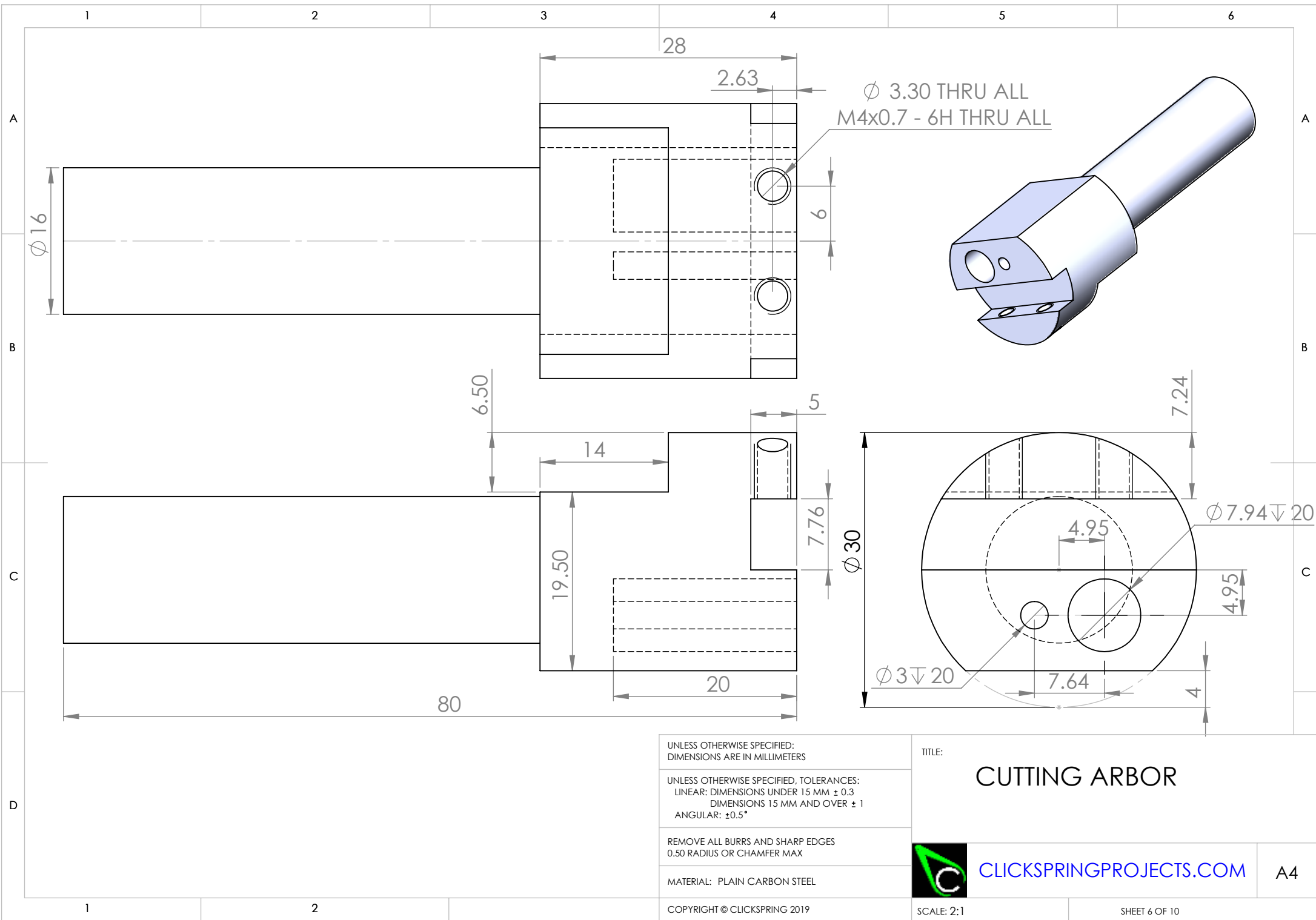
REMOVE ALL BURRS AND SHARP EDGES
0.50 RADIUS OR CHAMFER MAX

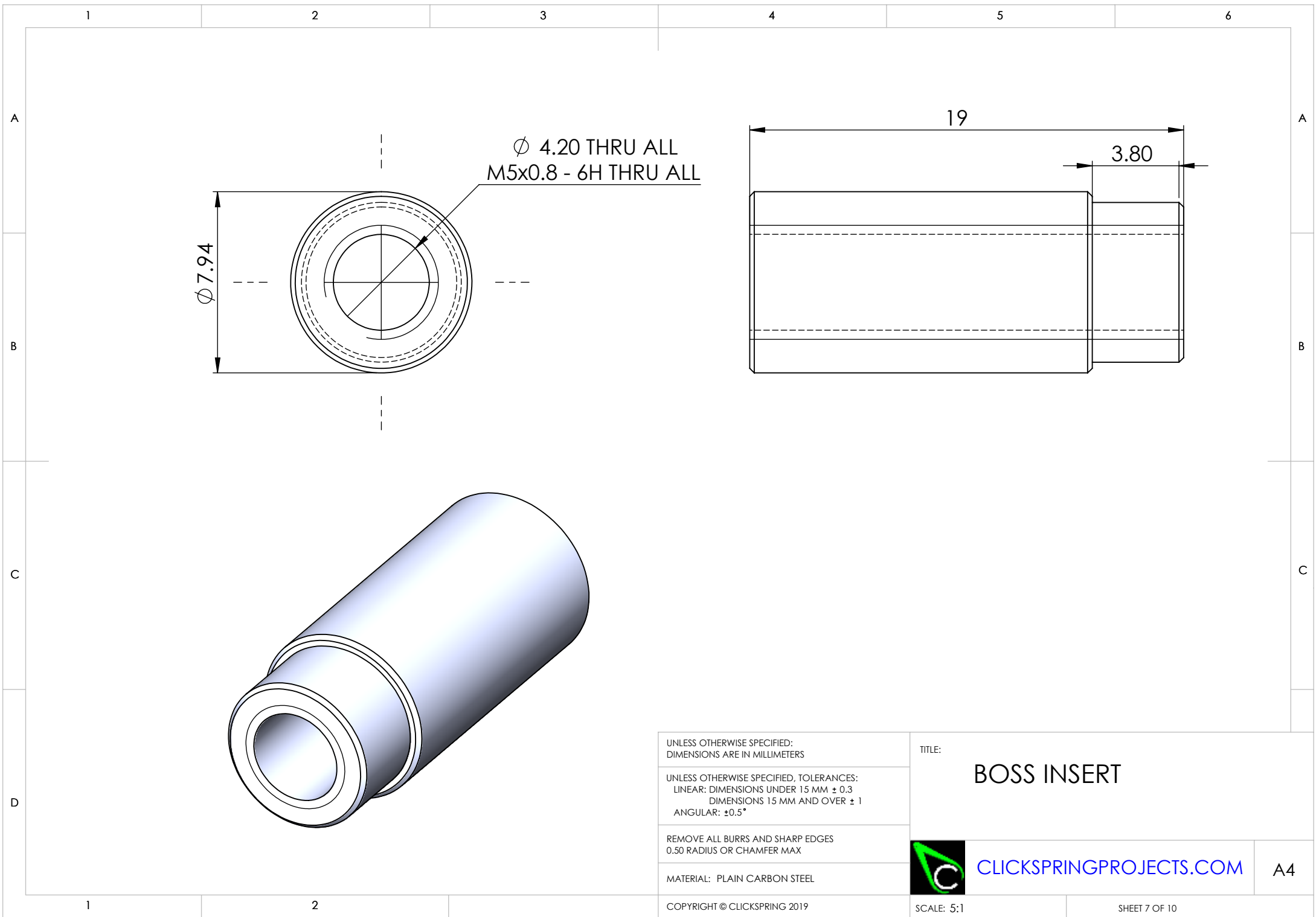
MATERIAL: MILD STEEL, O1 TOOL STEEL

TITLE:
**BUTTON CUTTER
(EXPLODED VIEW)**

CLICKSPRINGPROJECTS.COM

A4





UNLESS OTHERWISE SPECIFIED:
DIMENSIONS ARE IN MILLIMETERS

UNLESS OTHERWISE SPECIFIED, TOLERANCES:
LINEAR: DIMENSIONS UNDER 15 MM ± 0.3
DIMENSIONS 15 MM AND OVER ± 1
ANGULAR: $\pm 0.5^\circ$

REMOVE ALL BURRS AND SHARP EDGES
0.50 RADIUS OR CHAMFER MAX

MATERIAL: PLAIN CARBON STEEL

COPYRIGHT © CLICKSPRING 2019

TITLE:
BOSS INSERT

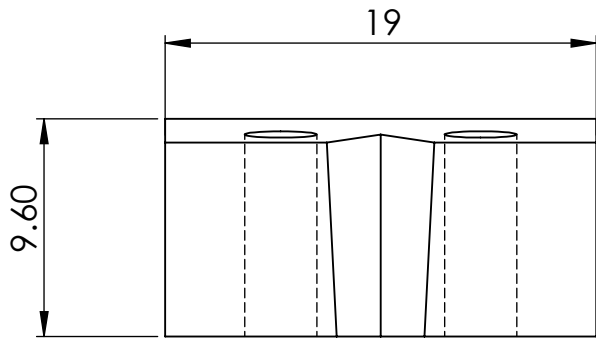
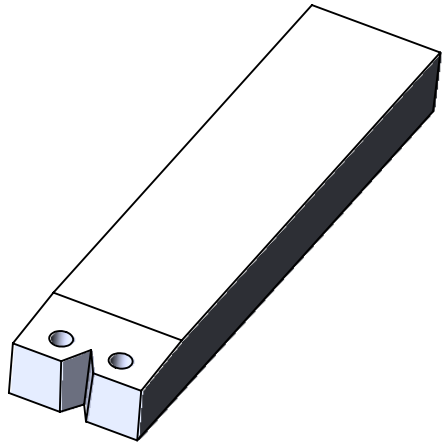


CLICKSPRINGPROJECTS.COM

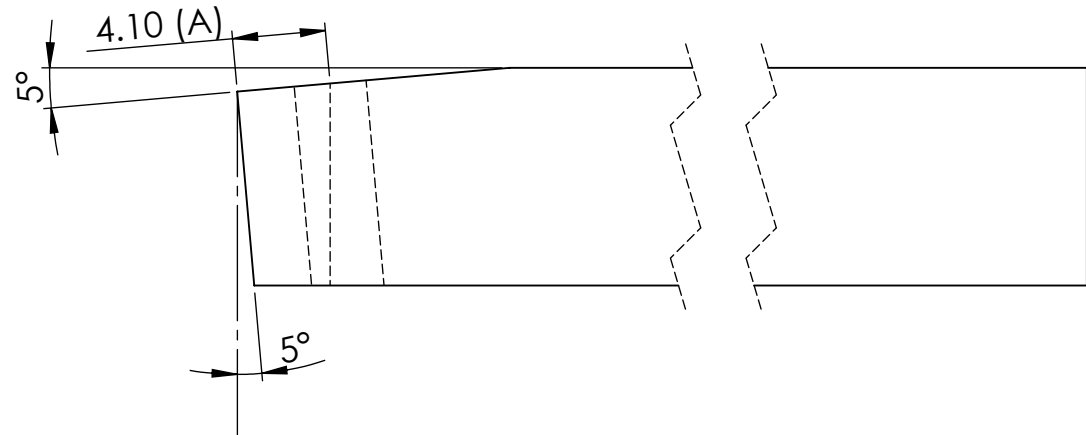
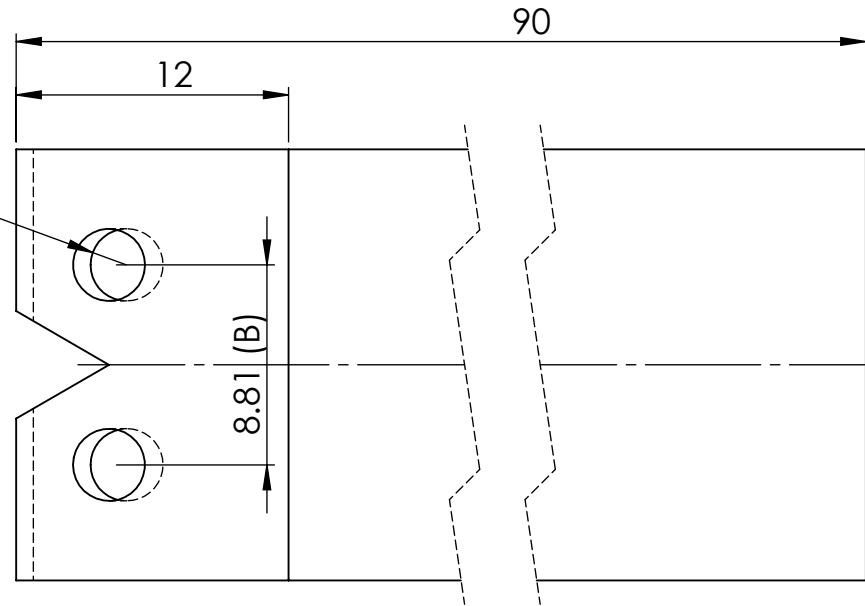
A4

SCALE: 5:1

SHEET 7 OF 10



R1.59 THRU



- NOTES, UNLESS OTHERWISE SPECIFIED
- DIMENSIONS A AND B NOMINAL:
 - A=0.5 X BUTTON DIAMETER
 - B=BUTTON CENTER DISTANCE
 - REFER CALCULATOR
 - OTHER DIMENSIONS ADJUST AS REQUIRED TO ACCOMODATE LATHE CENTER HEIGHT LIMITATIONS

UNLESS OTHERWISE SPECIFIED:
DIMENSIONS ARE IN MILLIMETERS

UNLESS OTHERWISE SPECIFIED, TOLERANCES:
LINEAR: DIMENSIONS UNDER 15 MM ± 0.3
DIMENSIONS 15 MM AND OVER ± 1
ANGULAR: $\pm 0.5^\circ$

REMOVE ALL BURRS AND SHARP EDGES
0.50 RADIUS OR CHAMFER MAX

MATERIAL: PLAIN CARBON STEEL

COPYRIGHT © CLICKSPRING 2019

TITLE:

BUTTON CUTTER SHANK

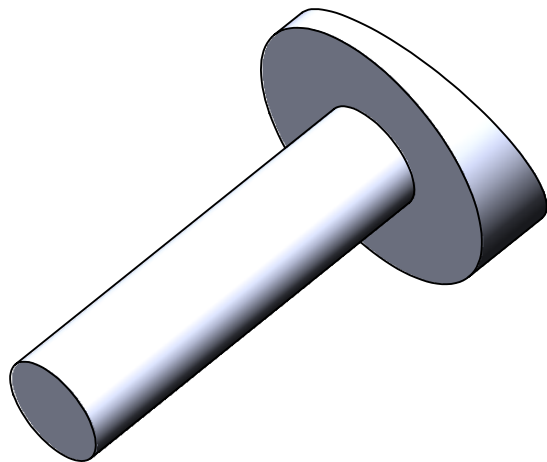
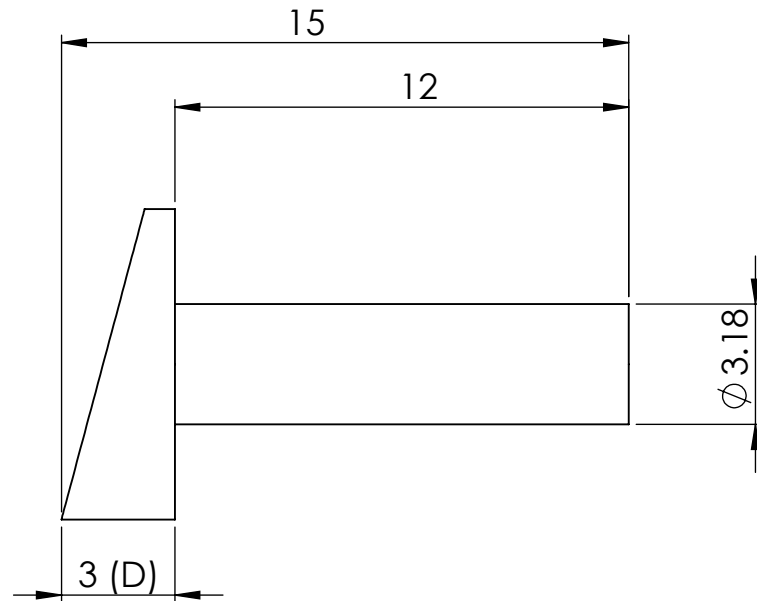
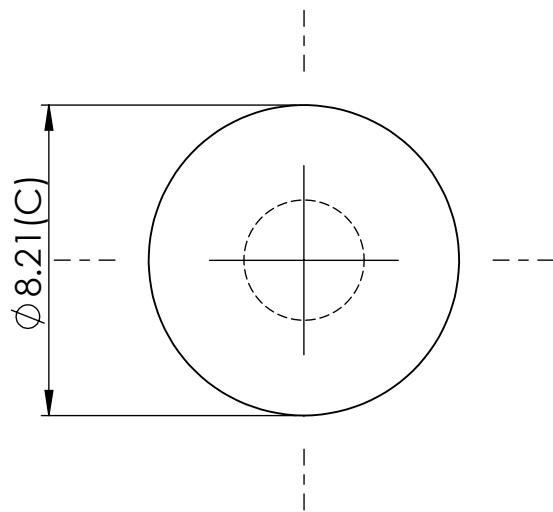


CLICKSPRINGPROJECTS.COM

A4

SCALE: 3:1

SHEET 8 OF 10



NOTES, UNLESS OTHERWISE SPECIFIED

- DIMENSIONS C AND D NOMINAL
 - C=BUTTON DIAMETER
 - REFER CALCULATOR
- D AND OTHER DIMENSIONS ADJUST AS REQUIRED TO ACCOMODATE LATHE CENTER HEIGHT LIMITATIONS

UNLESS OTHERWISE SPECIFIED:
DIMENSIONS ARE IN MILLIMETERS

UNLESS OTHERWISE SPECIFIED, TOLERANCES:
LINEAR: DIMENSIONS UNDER 15 MM ± 0.3
DIMENSIONS 15 MM AND OVER ± 1
ANGULAR: $\pm 0.5^\circ$

REMOVE ALL BURRS AND SHARP EDGES
0.50 RADIUS OR CHAMFER MAX

MATERIAL: O1 TOOL STEEL

COPYRIGHT © CLICKSPRING 2020

TITLE:

BUTTON CUTTER

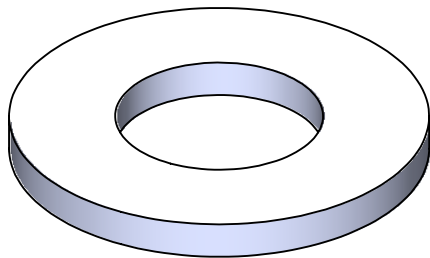
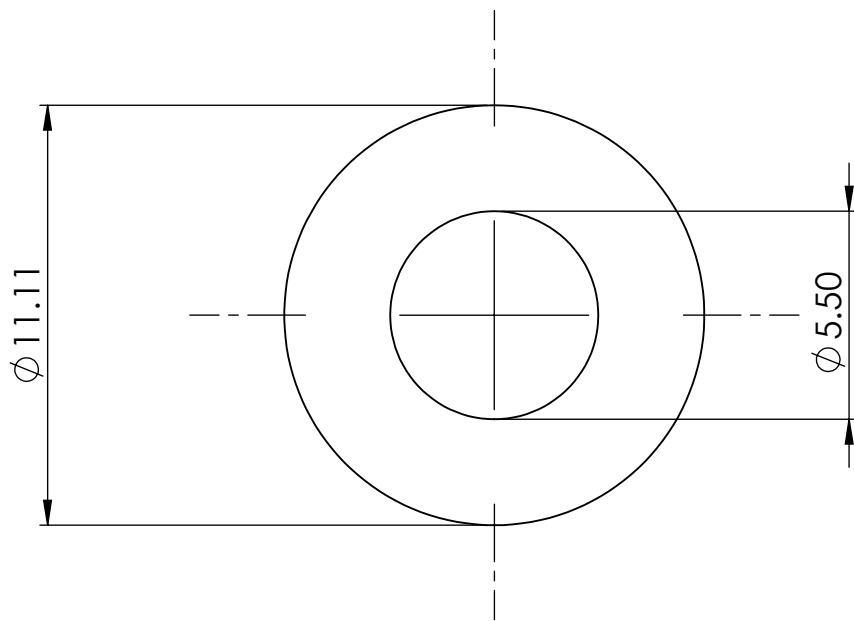


CLICKSPRINGPROJECTS.COM

A4

SCALE: 5:1

SHEET 9 OF 10



UNLESS OTHERWISE SPECIFIED:
DIMENSIONS ARE IN MILLIMETERS

UNLESS OTHERWISE SPECIFIED, TOLERANCES:
LINEAR: DIMENSIONS UNDER 15 MM ± 0.3
DIMENSIONS 15 MM AND OVER ± 1
ANGULAR: $\pm 0.5^\circ$

REMOVE ALL BURRS AND SHARP EDGES
0.50 RADIUS OR CHAMFER MAX

MATERIAL: PLAIN CARBON STEEL

TITLE:

WASHER



CLICKSPRINGPROJECTS.COM

A4